

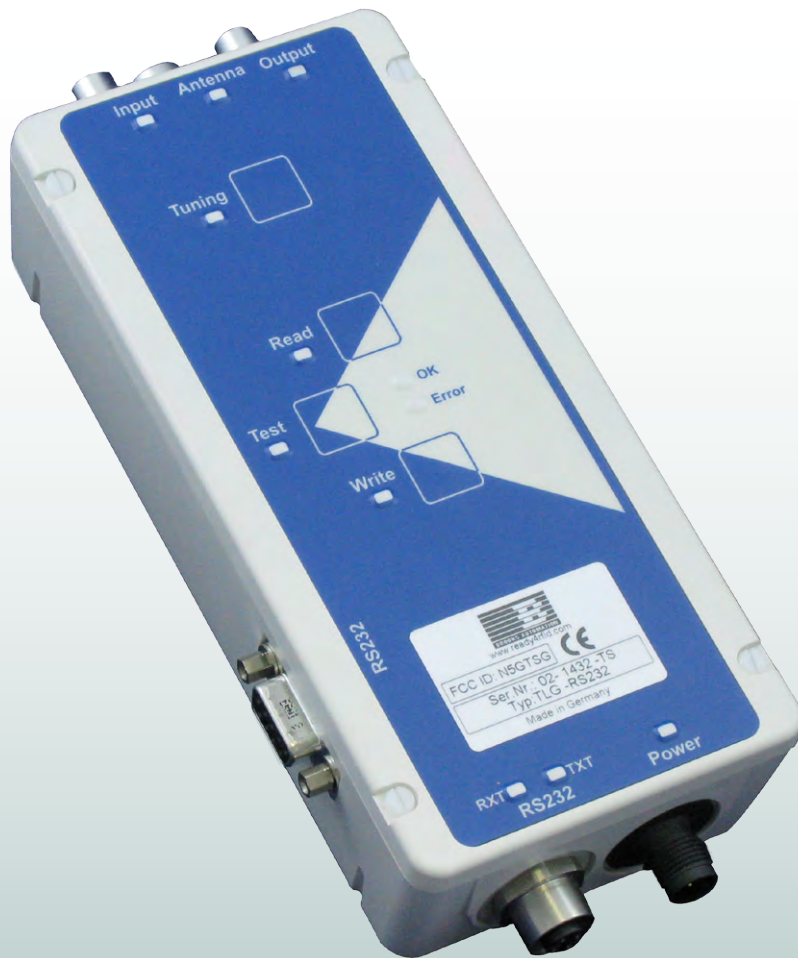


RFID Division

Hardware | Reader
RFID Reader
Series LF80

RFID Reader ASC-I1

134.2 kHz



Ready
for
RFID ?

* Radio Frequency Identification

- TIRIS™ tag compatible
- Automatic antenna calibration
- Synchronisation when using several devices
- Parallel interface (serial)
- LEDs for status display



RFID Division

Hardware | Reader

RFID Reader

Series LF80

RFID Reader ASC-I1

134.2 kHz

Identification by radio frequency (RFID) provides a fast and safe identification of the object to be controlled. RFID guarantees the data exchange between reader and transponder, independent from contact or intervisibility and is able to even identify through different kinds of materials such as paper, plastic, liquid or dust.

Brooks Automation offers the RFID reader LF80 ASC-I1, a read/write system of extraordinary quality and functionality. The device uses the frequency LF and communicates with TIRIS™ transponders by Texas Instruments.

On the touch of a button a test mode can be started, in which the system adapts to its surroundings and adjusts the perfect read/write range for the antenna. In addition, a test button allows the inspection of all functions without interrupting the operation of the overall system.

These functions make it easy to integrate the device into the process periphery and allow for handling the system without the need for a comprehensive RFID understanding.

The RFID reader LF80 ASC-I1 has several LEDs to display the status. They provide information on the current operational mode, voltage, antenna mode and read/write status as well as displaying I/O signals. The reader supposes of a second parallel interface (RS232) for easy maintenance.

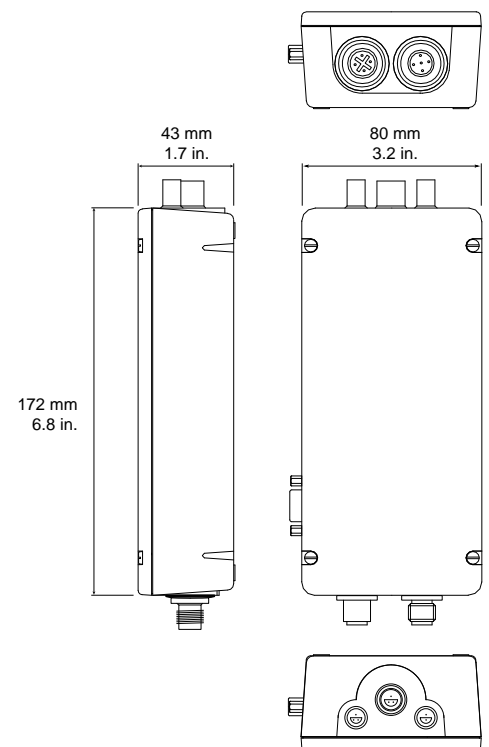
The combination with a Brooks gateway enables the connection with other communication systems. If required, this device is also available with other protocols.

Part number

TLG-M2-1000-S0-00EB

Technical data

Protocol	ASC-I1
Serial interface RS232	300 Bd - 115.2 kBd
Dimensions	172 x 80 x 43 mm 6.8 x 3.2 x 1.7 in.
Weight	440 g 15.5 oz
Operating temperature	0°C to 50°C 32°F to 122°F
Storage temperature	-25°C to 70°C -13°F to 158°F
Permissible humidity	25% to 80% at 50°C 122°F
Protection mode	IP40
Housing	ABS (UL94-V0)
Voltage	18 - 30 V DC
Current	30 mA
Reading / Writing impulse Rod antenna	160 mA
Reading / Writing impulse Micro antenna	140 mA
Fuse type TR5	400 mA



Sales RFID

sales.rfid@brooks.com

Brooks Automation (Germany) GmbH
RFID Division
Gartenstr. 19
95490 Mistelgau
Germany

Tel +49-9279-991 550

Fax +49-9279-991 501

www.brooks-rfid.com

ID040116/27.01.2009

All product names are trade names, registered trademarks or copyrights of the respective manufacturers. All specifications without guarantee, errors and omissions expected, subject to changes