



RFID Division

Hardware | Reader
RFID Reader
Series LF80

RFID Reader LonWorks

134.2 kHz



Ready
for
RFID ?

* Radio Frequency Identification

- Protocol: LonTalk
- Housing: IP54
- Setup via keypad
- Status display per LED's



RFID Division

Hardware | Reader RFID Reader Series LF80

RFID Reader LonWorks

134.2 kHz

Identification by radio frequency (RFID) provides a fast and safe identification of the object to be controlled. RFID guarantees the data exchange between reader and transponder, independent from contact or intervisibility and is able to even identify through different kinds of materials such as paper, plastic, liquid or dust.

The RFID Reader LF80 LON enables a comfortable transfer of exported data into a LON field bus system. Intelligent, peripheral LON knots or host systems process this information bidirectionally. The LF 80 LON device is ideal for applications with

numerous reading points and only a few interfaces to the host system.

The RFID reader LF80 ASC-I1 has several LEDs to display the status. They provide information on the current operational mode, voltage, antenna mode and read/write status as well as displaying I/O signals.

In order to determine the read range without any LON tool connected, the reader is set to a read and write mode. Additionally a tuning button allows antenna calibration without the need for a power reset.

An improved function of the RFID reader is an optimized wireless interface, communicating with the latest Multipage transponders.

For an easy configuration within a LON network, the device ID can be identified via simultaneously pushing the read and write button.

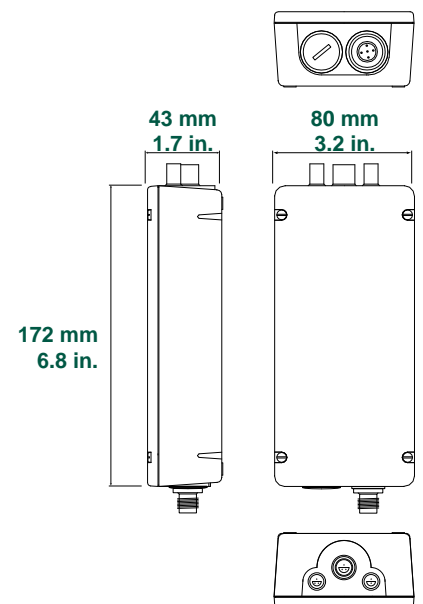
The reader works with a LonWorks protocol or explicit messages. Combined with a Brooks gateway it is possible to connect the reader to other communication systems.

Part number

TLG-L2W-1000-S0-BFEB

Technical data

| | |
|---------------------------|--|
| Protocol | LonWorks |
| Dimensions | 172 x 80 x 43 mm 6.8 x 3.2 x 1.7 in. |
| Weight | 440 g 15.5 oz |
| Operating temperature | 0°C to 50°C 32°F to 122°F |
| Storage temperature | -25°C to 70°C -13°F to 158°F |
| Permissible humidity | 25% to 80% at 50°C 122°F |
| Protection mode | IP40 |
| Housing | ABS (UL94-V0) |
| Voltage | 18 - 30 V DC |
| Current | 60 mA |
| Reading / Writing impulse | 120 mA |
| Fuse | T400 mA 250 V |



Sales RFID

sales.rfid@brooks.com

Brooks Automation (Germany) GmbH
RFID Division
Gartenstr. 19
95490 Mistelgau
Germany

Tel +49-9279-991 550

Fax +49-9279-991 501

www.brooks-rfid.com

ID040114/17.06.2010

All product names are trade names, registered trademarks or copyrights of the respective manufacturers. All specifications without guarantee, errors and omissions expected, subject to changes