



RFID Division

Hardware | Reader
**RFID Reader
Series HF40**

RFID Card CF (Compact Flash)

13.56 MHz



Ready
for
RFID ?

* Radio Frequency Identification

- Plug & Play
- Operates ISO15693 and EPC transponders
- Reads multiple transponders simultaneously
- Including GUI for PDA or Laptop
- For mobile devices or laptops



RFID Division

Hardware | Reader

RFID Reader

Series HF40

RFID Card CF (Compact Flash)

13.56 MHz

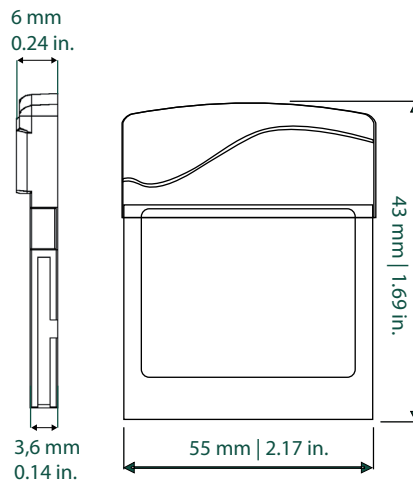
Identification by radio frequency (RFID) provides a fast and safe identification of the object to be controlled. RFID guarantees the data exchange between reader and transponder, independent from contact or intervisibility and is able to even identify through different kinds of materials such as paper, plastic, liquid or dust.

A passive 13.56 MHz transponder (i.e. without internal source of energy) ISO15693 or EPC type mounted in or at the product stores the particular identification code and communicates with the CFCard HF Reader. The CFCard HF Reader for the CF slot type I turns a PDA or laptop into an effective reader of high frequency transponders. It reads multiple high frequency transponders simultaneously.

The CFCard HF Reader is available with a Graphical User Interface (GUI) software to handle the Card Reader via PDA or laptop. Developing your own personalized GUI is possible.

Wireless communication:

CFCard Readers enable PDAs with wireless LAN to operate like mobile Transponder Reader with host connection. It is possible to customise the host interface (data base connection via wireless LAN) and the transmitted data from PDA to host and vice versa.



Part number

THG-CFC-S-R

Specification

| | |
|----------------------------------|---|
| Antenna | Frame antenna |
| Provided additional | Software for Graphical User Interface (GUI) |
| Dimensions | 55 x 43 x 3,6 mm 2.17 x 1.7 x 0.14 in. |
| Operating temperature | 0°C to 50°C 32°F to 122° F |
| Storage temperature | -25°C to 70°C -13°F to 158°F |
| Permissible humidity | 25% to 80% at 50°C at 122°F |
| System requirements | CF-Card Type I for Win9x/2000/NT/XP/CE |
| Voltage | 3.3 V oder 5 V |
| Current consumption active mode | 90 mA |
| Current consumption passive mode | 50 mA |
| Reading range | approx. 90 mm 3.54 in. (Cardtransponder) |
| Writing range | approx. 60 mm 2.36 in. (Cardtransponder) |

Sales RFID

sales.rfid@brooks.com

Brooks Automation (Germany) GmbH
RFID Division
Gartenstr. 19
95490 Mistelgau
Germany

Tel +49 - 92 79 - 991 550

Fax +49 - 92 79 - 991 501

www.brooks-rfid.com

ID050010/07.09.2010

All product names are trade names, registered trademarks or copyrights of the respective manufacturers. All specifications without guarantee, errors and omissions expected, subject to changes