



RFID Division

Hardware | Reader
RFID Reader
Series HF60

RFID Reader EEPC _Gen2

13,56 MHz



Ready
for
RFID ?

* Radio Frequency Identification

- Five antenna ports
- RS232/ Ethernet interface
- Power over Ethernet (PoE)
- Polling mode adjustable for each antenna
- Configurable test mode with visual indicator
- Different configurations available



RFID Division

Hardware | Reader RFID Reader Series HF60

RFID Reader EEPC_Gen2

13,56 MHz

Identification by radio frequency (RFID) provides a fast and safe identification of the object to be controlled. RFID guarantees the data exchange between reader and transponder, regardless of contact or intervisibility and is able to even identify through different kinds of materials such as paper, plastic, liquid or dust.

Due to its five antenna ports the RFID Reader HF60 EEPC is particularly suitable for applications requiring many reading points. This is a huge advantage for usage in industry since it reduces the costs for an RFID integration considerably.

The RFID Reader HF60 EPC transfers the identified data either through a serial RS232 or an Ethernet interface. Numerous plug and play antenna types enable to adjust to different reading distances and applications.

Transponders according to ISO15693 as well as Philips I-Code will be identified.

A robust plastic housing made of Polystyrol (protection class IP40) even allows the use in rugged surroundings.

For demanding applications this RFID Reader is available with a wide range of functions.

Further configurations:

- On demand the RFID reader is available with one I/O per antenna port.
- The reader is also featuring Power over Ethernet (PoE).
- Four optional DIP-switches that can be used for interfaces or test modes allow a comfortable configuration.
- The reader is available with different protocols.

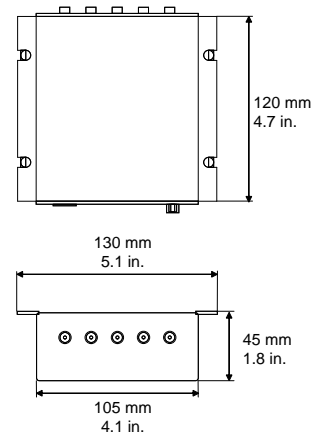


Illustration 1: Antenna side



Illustration 2: Interface side

Part number	Protocol / Interface
THG-T3M-2000-T5-...	ASC-I1 / Ethernet
THG-E3M-2000-T5-...	ASC-I1 / Ethernet + RS232
THG-R3M-2000-T5-...	ASC-I1 / RS232

Specifications	
Serial interface RS232	1200 Bd - 57600 Bd
Ethernet interface	10/100BaseT
HF output	300 mW
Dimensions	105 x 120 x 45 mm 4.1 x 4.7 x 1.8 in.
Weight	280g 9.9 oz
Operating temperature	0°C to +50°C 32°F to 122°F
Storage temperature	-25°C to +70°C -13°F to 158°F
Permissible humidity	25 - 80% at 50°C 25 - 80% at 122°F
Protection mode	IP40
Housing	PS (Polystyrol)
Voltage	12 - 32 V DC
Current	60 mA at 24 V DC
Fuse type TR5	500 mA
Output resistance	50 Ohm

All product names are trade names, registered trademarks or copyrights of the respective manufacturers. All specifications without guarantee, errors and omissions expected, subject to changes

Sales RFID

sales.rfid@brooks.com

Brooks Automation (Germany) GmbH
RFID Division
Gartenstr. 19
95490 Mistelgau
Germany

Tel +49-9279-991 550

Fax +49-9279-991 501

www.brooks-rfid.com

ID050009/03.12.2008